

Adjustable hand levers

Zinc die casting, Bushing /
Threaded bolt Stainless Steel

SPECIFICATION

Handle

Zinc die casting

plastic coated

black, RAL 9005, textured finish **SW**

black, RAL 9011, silk finish **SZ**

orange, RAL 2004, textured finish **OS**

red, RAL 3000, textured finish **RS**

silver, RAL 9006, textured finish **SR**

chrome-plated **CR**

uncoated, slide grinded **RH**

Version with bushing

Threaded insert and retaining screw

Stainless Steel AISI 303

Version with threaded stud

Threaded stud and retaining screw

Stainless Steel AISI 303



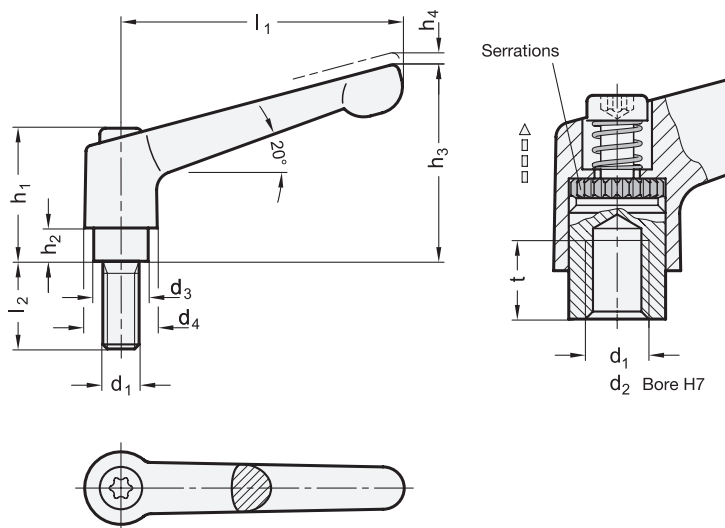
INFORMATION

Adjustable hand levers GN 300.1 are ideal whenever parts have to be clamped in a confined space or in a particular lever position. The centre insert is connected to the lever via serrations which can easily be disengaged.

Pulling the lever, disengages the serrations and allowing it to be swivelled to the ideal clamping position. On releasing the lever the serrations automatically re-engage.

TECHNICAL INFORMATION


- ISO-Fundamental tolerances (see page A21)
- Stainless Steel characteristics (see page A26)




* Complete with colour index of the clamping lever body (SW, SZ, OS, RS, SR, CR or RH)

 SW	 SZ	 OS	 RS	 SR	 CR	 RH
RAL9005	RAL9011	RAL2004	RAL3000	RAL9006	chrome-plated	uncoated

GN 300.1-with bushing

Description	l1	d1	d2 H7	d3	d4	h1	h2	h3	h4	t min.	
GN 300.1-22-M3-*	22	M 3	-	8	10.5	18.5	2	23	3	5	13
GN 300.1-22-M4-*	22	M 4	-	8	10.5	18.5	2	23	3	5	12
GN 300.1-22-M5-*	22	M 5	-	8	10.5	18.5	2	23	3	5	12
GN 300.1-30-B5-*	30	-	B 5	10	13	24.5	4	31	3.5	8	24
GN 300.1-30-B6-*	30	-	B 6	10	13	24.5	4	31	3.5	8	23
GN 300.1-30-M3-*	30	M 3	-	10	13	24.5	4	31	3.5	7	30
GN 300.1-30-M4-*	30	M 4	-	10	13	24.5	4	31	3.5	8	26
GN 300.1-30-M5-*	30	M 5	-	10	13	24.5	4	31	3.5	8	24
GN 300.1-30-M6-*	30	M 6	-	10	13	24.5	4	31	3.5	8	23
GN 300.1-45-B5-*	45	-	B 5	10	13	24.5	4	34	3.5	8	29
GN 300.1-45-B6-*	45	-	B 6	10	13	24.5	4	34	3.5	8	28
GN 300.1-45-M4-*	45	M 4	-	10	13	24.5	4	34	3.5	8	34
GN 300.1-45-M5-*	45	M 5	-	10	13	24.5	4	34	3.5	8	31
GN 300.1-45-M6-*	45	M 6	-	10	13	24.5	4	34	3.5	8	30
GN 300.1-63-B6-*	63	-	B 6	13.5	17.5	31	6.5	45	4	11	70
GN 300.1-63-M6-*	63	M 6	-	13.5	17.5	31	6.5	45	4	11	76
GN 300.1-63-M8-*	63	M 8	-	13.5	17.5	31	6.5	45	4	11	70
GN 300.1-78-B8-*	78	-	B 8	16	21	36	8	54	4	14	70
GN 300.1-78-B10-*	78	-	B 10	16	21	36	8	54	4	14	123
GN 300.1-78-M8-*	78	M 8	-	16	21	36	8	54	4	14	123
GN 300.1-78-M10-*	78	M 10	-	16	21	36	8	54	4	14	119
GN 300.1-78-M12-*	78	M 12	-	16	21	36	8	54	4	14	115
GN 300.1-92-B12-*	92	-	B 12	19	24	43	11	64	4	17	190
GN 300.1-92-M10-*	92	M 10	-	19	24	43	11	64	4	17	180
GN 300.1-92-M12-*	92	M 12	-	19	24	43	11	64	4	17	174
GN 300.1-108-B12-*	108	-	B 12	23	30	50.5	12	75	5	22	282
GN 300.1-108-B16-*	108	-	B 16	23	30	50.5	12	75	5	22	259
GN 300.1-108-M12-*	108	M 12	-	23	30	50.5	12	75	5	22	259
GN 300.1-108-M16-*	108	M 16	-	23	30	50.5	12	75	5	22	259

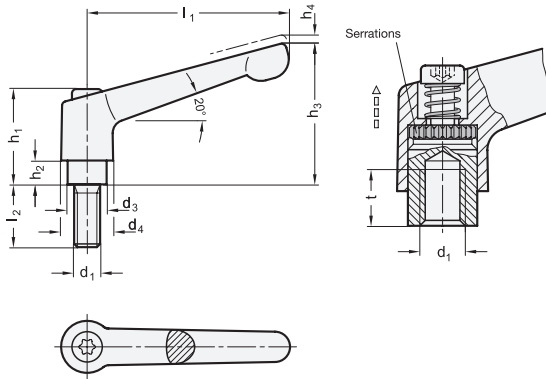
GN 300.1-with bushing

Description	l1	d1	l2	d3	d4	h1	h2	h3	h4	
GN 300.1-22-M3-6-*	22	M 3	6	8	10.5	18.5	2	23	3	13
GN 300.1-22-M3-8-*	22	M 3	8	8	10.5	18.5	2	23	3	14
GN 300.1-22-M3-10-*	22	M 3	10	8	10.5	18.5	2	23	3	15
GN 300.1-22-M3-12-*	22	M 3	12	8	10.5	18.5	2	23	3	16
GN 300.1-22-M3-16-*	22	M 3	16	8	10.5	18.5	2	23	3	17
GN 300.1-22-M4-12-*	22	M 4	12	8	10.5	18.5	2	23	3	14
GN 300.1-22-M4-16-*	22	M 4	16	8	10.5	18.5	2	23	3	15
GN 300.1-22-M4-20-*	22	M 4	20	8	10.5	18.5	2	23	3	16
GN 300.1-22-M4-25-*	22	M 4	25	8	10.5	18.5	2	23	3	17
GN 300.1-22-M4-32-*	22	M 4	32	8	10.5	18.5	2	23	3	18
GN 300.1-22-M5-12-*	22	M 5	12	8	10.5	18.5	2	23	3	14
GN 300.1-22-M5-16-*	22	M 5	16	8	10.5	18.5	2	23	3	15
GN 300.1-22-M5-20-*	22	M 5	20	8	10.5	18.5	2	23	3	16
GN 300.1-22-M5-25-*	22	M 5	25	8	10.5	18.5	2	23	3	17
GN 300.1-22-M5-32-*	22	M 5	32	8	10.5	18.5	2	23	3	18
GN 300.1-30-M3-6-*	30	M 3	6	10	13	24.5	4	31	3.5	23
GN 300.1-30-M3-8-*	30	M 3	8	10	13	24.5	4	31	3.5	24
GN 300.1-30-M3-10-*	30	M 3	10	10	13	24.5	4	31	3.5	25
GN 300.1-30-M3-12-*	30	M 3	12	10	13	24.5	4	31	3.5	27
GN 300.1-30-M3-16-*	30	M 3	16	10	13	24.5	4	31	3.5	28
GN 300.1-30-M4-12-*	30	M 4	12	10	13	24.5	4	31	3.5	22
GN 300.1-30-M4-16-*	30	M 4	16	10	13	24.5	4	31	3.5	23
GN 300.1-30-M4-20-*	30	M 4	20	10	13	24.5	4	31	3.5	24
GN 300.1-30-M4-25-*	30	M 4	25	10	13	24.5	4	31	3.5	25
GN 300.1-30-M4-32-*	30	M 4	32	10	13	24.5	4	31	3.5	26
GN 300.1-30-M5-12-*	30	M 5	12	10	13	24.5	4	31	3.5	27
GN 300.1-30-M5-16-*	30	M 5	16	10	13	24.5	4	31	3.5	28
GN 300.1-30-M5-20-*	30	M 5	20	10	13	24.5	4	31	3.5	30
GN 300.1-30-M5-25-*	30	M 5	25	10	13	24.5	4	31	3.5	32
GN 300.1-30-M5-32-*	30	M 5	32	10	13	24.5	4	31	3.5	33
GN 300.1-30-M5-40-*	30	M 5	40	10	13	24.5	4	31	3.5	35
GN 300.1-30-M5-50-*	30	M 5	50	10	13	24.5	4	31	3.5	36
GN 300.1-30-M6-12-*	30	M 6	12	10	13	24.5	4	31	3.5	26
GN 300.1-30-M6-16-*	30	M 6	16	10	13	24.5	4	31	3.5	27
GN 300.1-30-M6-20-*	30	M 6	20	10	13	24.5	4	31	3.5	28
GN 300.1-30-M6-25-*	30	M 6	25	10	13	24.5	4	31	3.5	30
GN 300.1-30-M6-32-*	30	M 6	32	10	13	24.5	4	31	3.5	30
GN 300.1-30-M6-40-*	30	M 6	40	10	13	24.5	4	31	3.5	32
GN 300.1-30-M6-50-*	30	M 6	50	10	13	24.5	4	31	3.5	34
GN 300.1-45-M4-12-*	45	M 4	12	10	13	24.5	4	34	3.5	35
GN 300.1-45-M4-16-*	45	M 4	16	10	13	24.5	4	34	3.5	36



3

Clamping levers



* Complete with colour index of the clamping lever body (SW, SZ, OS, RS, SR, CR or RH)

SW	SZ	OS	RS	SR	CR	RH
RAL9005	RAL9011	RAL2004	RAL3000	RAL9006	chrome-plated	uncoated

GN 300.1-with threaded stud

Description	l1	d1	l2	d3	d4	h1	h2	h3	h4	△
GN 300.1-45-M4-20-*	45	M 4	20	10	13	24.5	4	34	3.5	37
GN 300.1-45-M4-25-*	45	M 4	25	10	13	24.5	4	34	3.5	38
GN 300.1-45-M4-32-*	45	M 4	32	10	13	24.5	4	34	3.5	39
GN 300.1-45-M5-12-*	45	M 5	12	10	13	24.5	4	34	3.5	33
GN 300.1-45-M5-16-*	45	M 5	16	10	13	24.5	4	34	3.5	34
GN 300.1-45-M5-20-*	45	M 5	20	10	13	24.5	4	34	3.5	35
GN 300.1-45-M5-25-*	45	M 5	25	10	13	24.5	4	34	3.5	36
GN 300.1-45-M5-32-*	45	M 5	32	10	13	24.5	4	34	3.5	38
GN 300.1-45-M5-40-*	45	M 5	40	10	13	24.5	4	34	3.5	40
GN 300.1-45-M5-50-*	45	M 5	50	10	13	24.5	4	34	3.5	42
GN 300.1-45-M6-12-*	45	M 6	12	10	13	24.5	4	34	3.5	30
GN 300.1-45-M6-16-*	45	M 6	16	10	13	24.5	4	34	3.5	31
GN 300.1-45-M6-20-*	45	M 6	20	10	13	24.5	4	34	3.5	32
GN 300.1-45-M6-25-*	45	M 6	25	10	13	24.5	4	34	3.5	33
GN 300.1-45-M6-32-*	45	M 6	32	10	13	24.5	4	34	3.5	34
GN 300.1-45-M6-40-*	45	M 6	40	10	13	24.5	4	34	3.5	35
GN 300.1-45-M6-50-*	45	M 6	50	10	13	24.5	4	34	3.5	36
GN 300.1-63-M6-16-*	63	M 6	16	13.5	17.5	31	6.5	45	4	80
GN 300.1-63-M6-20-*	63	M 6	20	13.5	17.5	31	6.5	45	4	82
GN 300.1-63-M6-25-*	63	M 6	25	13.5	17.5	31	6.5	45	4	83
GN 300.1-63-M6-32-*	63	M 6	32	13.5	17.5	31	6.5	45	4	85
GN 300.1-63-M6-40-*	63	M 6	40	13.5	17.5	31	6.5	45	4	86
GN 300.1-63-M6-50-*	63	M 6	50	13.5	17.5	31	6.5	45	4	87
GN 300.1-63-M6-63-*	63	M 6	63	13.5	17.5	31	6.5	45	4	88
GN 300.1-63-M8-16-*	63	M 8	16	13.5	17.5	31	6.5	45	4	84
GN 300.1-63-M8-20-*	63	M 8	20	13.5	17.5	31	6.5	45	4	85
GN 300.1-63-M8-25-*	63	M 8	25	13.5	17.5	31	6.5	45	4	86
GN 300.1-63-M8-32-*	63	M 8	32	13.5	17.5	31	6.5	45	4	88
GN 300.1-63-M8-40-*	63	M 8	40	13.5	17.5	31	6.5	45	4	90
GN 300.1-63-M8-50-*	63	M 8	50	13.5	17.5	31	6.5	45	4	92
GN 300.1-63-M8-63-*	63	M 8	63	13.5	17.5	31	6.5	45	4	94
GN 300.1-78-M8-20-*	78	M 8	20	16	21	36	8	54	4	134
GN 300.1-78-M8-25-*	78	M 8	25	16	21	36	8	54	4	134
GN 300.1-78-M8-32-*	78	M 8	32	16	21	36	8	54	4	138
GN 300.1-78-M8-40-*	78	M 8	40	16	21	36	8	54	4	141
GN 300.1-78-M8-50-*	78	M 8	50	16	21	36	8	54	4	144
GN 300.1-78-M8-63-*	78	M 8	63	16	21	36	8	54	4	147
GN 300.1-78-M8-80-*	78	M 8	80	16	21	36	8	54	4	152

GN 300.1-with threaded stud

Description	l1	d1	l2	d3	d4	h1	h2	h3	h4	△
GN 300.1-78-M10-20-*	78	M 10	20	16	21	36	8	54	4	138
GN 300.1-78-M10-25-*	78	M 10	25	16	21	36	8	54	4	140
GN 300.1-78-M10-32-*	78	M 10	32	16	21	36	8	54	4	143
GN 300.1-78-M10-40-*	78	M 10	40	16	21	36	8	54	4	148
GN 300.1-78-M10-50-*	78	M 10	50	16	21	36	8	54	4	153
GN 300.1-78-M10-63-*	78	M 10	63	16	21	36	8	54	4	155
GN 300.1-78-M10-80-*	78	M 10	80	16	21	36	8	54	4	160
GN 300.1-78-M12-20-*	78	M 12	20	16	21	36	8	54	4	142
GN 300.1-78-M12-25-*	78	M 12	25	16	21	36	8	54	4	145
GN 300.1-78-M12-32-*	78	M 12	32	16	21	36	8	54	4	151
GN 300.1-78-M12-40-*	78	M 12	40	16	21	36	8	54	4	157
GN 300.1-78-M12-50-*	78	M 12	50	16	21	36	8	54	4	164
GN 300.1-78-M12-63-*	78	M 12	63	16	21	36	8	54	4	172
GN 300.1-78-M12-80-*	78	M 12	80	16	21	36	8	54	4	184
GN 300.1-92-M10-20-*	92	M 10	20	19	24	43	11	64	4	198
GN 300.1-92-M10-25-*	92	M 10	25	19	24	43	11	64	4	201
GN 300.1-92-M10-32-*	92	M 10	32	19	24	43	11	64	4	205
GN 300.1-92-M10-40-*	92	M 10	40	19	24	43	11	64	4	209
GN 300.1-92-M10-50-*	92	M 10	50	19	24	43	11	64	4	215
GN 300.1-92-M10-63-*	92	M 10	63	19	24	43	11	64	4	220
GN 300.1-92-M10-80-*	92	M 10	80	19	24	43	11	64	4	231
GN 300.1-92-M12-20-*	92	M 12	20	19	24	43	11	64	4	235
GN 300.1-92-M12-25-*	92	M 12	25	19	24	43	11	64	4	195
GN 300.1-92-M12-32-*	92	M 12	32	19	24	43	11	64	4	200
GN 300.1-92-M12-40-*	92	M 12	40	19	24	43	11	64	4	208
GN 300.1-92-M12-50-*	92	M 12	50	19	24	43	11	64	4	212
GN 300.1-92-M12-63-*	92	M 12	63	19	24	43	11	64	4	218
GN 300.1-92-M12-80-*	92	M 12	80	19	24	43	11	64	4	225
GN 300.1-108-M12-32-*	92	M 12	32	23	30	50.5	12	75	5	365
GN 300.1-108-M12-40-*	108	M 12	40	23	30	50.5	12	75	5	376
GN 300.1-108-M12-50-*	108	M 12	50	23	30	50.5	12	75	5	388
GN 300.1-108-M12-63-*	108	M 12	63	23	30	50.5	12	75	5	407
GN 300.1-108-M12-80-*	108	M 12	80	23	30	50.5	12	75	5	420
GN 300.1-108-M16-32-*	108	M 16	32	23	30	50.5	12	75	5	422
GN 300.1-108-M16-40-*	108	M 16	40	23	30	50.5	12	75	5	376
GN 300.1-108-M16-50-*	108	M 16	50	23	30	50.5	12	75	5	388
GN 300.1-108-M16-63-*	108	M 16	63	23	30	50.5	12	75	5	407
GN 300.1-108-M16-80-*	108	M 16	80	23	30	50.5	12	75	5	429

Clamping levers 3